

## NEUTRAL-GROUNDING RESISTOR CHECKLIST

Quantity: \_\_\_\_\_

Line-To-Line Voltage: \_\_\_\_\_ V

NGR Current: \_\_\_\_\_ A

### Pulsing System Option

CHECK ONE	
<input type="checkbox"/>	Normal Current
<input type="checkbox"/>	Pulsed Current

### Time Rating

CHECK ONE	
<input type="checkbox"/>	10 s
<input type="checkbox"/>	Continuous
<input type="checkbox"/>	Other: _____

### Enclosure

CHECK ONE	
<input type="checkbox"/>	Indoor
<input type="checkbox"/>	Outdoor
<input type="checkbox"/>	Space allowed for sensing resistor (ER) & CT
<input type="checkbox"/>	ER & CT included
<input type="checkbox"/>	Zigzag transformer to derive an artificial neutral
<input type="checkbox"/>	None

### Neutral-Grounding-Resistor Monitor

CHECK ONE	
<input type="checkbox"/>	Not required
<input type="checkbox"/>	SE-325*
<input type="checkbox"/>	SE-330*
<input type="checkbox"/>	Supplied Loose
<input type="checkbox"/>	Supplied in a control panel (See RG-15 for control panel options)

\* Please provide full part number as show in RG-15

Special Requirements (i.e. corrosive environment, vibration, etc.): \_\_\_\_\_

---



---



---



---



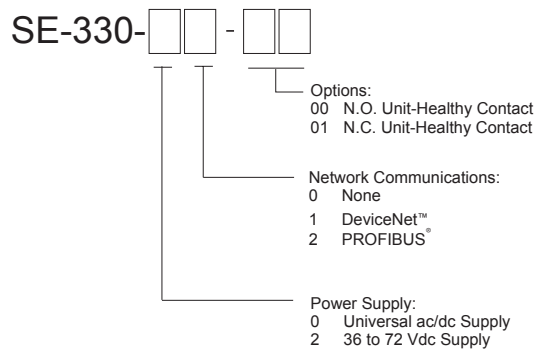
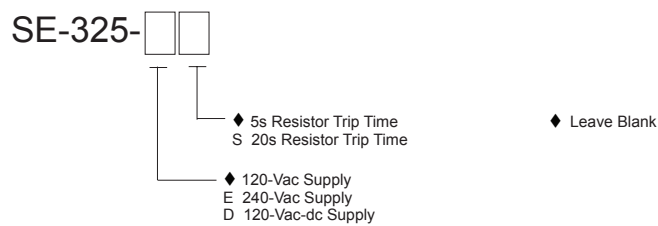
---

Delivery Date Required: \_\_\_\_\_

## NEUTRAL-GROUNDING RESISTOR CHECKLIST

### Type of Enclosure

CHECK ONE	
	NEMA 1
	NEMA 4
	NEMA 4x
	NEMA 12
	Other



### Pilot Devices

CHECK ONE	
For use with SE-325	
	RK-325, Remote Indication & Reset Assembly
	RK-302 Industrial Remote Indication & Reset Kit
	RK-325I, Remote Indication Assembly
	RK-332, Relay Interface Module
For use with SE-330	
	RK-Industrial Remote Indication & Reset Kit
For use with SE-325 or SE-330	
	Ammeter
	Normal/Pulsed Selector Switch
	None

## NEUTRAL-GROUNDING RESISTOR CHECKLIST

### Control Transformer

CHECK ONE	
For 480-V and 600-V systems only	
	Yes
	No
	Additional VA required:

Special Requirements (i.e. corrosive environment, vibration, etc.): \_\_\_\_\_

\_\_\_\_\_

\_\_\_\_\_

\_\_\_\_\_