

POWR-SPEED® Product Accessories

MSXL SERIES HIGH-SPEED FUSE MICROSWITCH

1000C Contact Insulation Voltage (2000)



Description

Littelfuse MSXL Series external mount microswitches offer permanent blown fuse indication to PSX Series High-Speed Square-Body Semiconductor Fuses. They have one normally open (N.O.) and one normally closed (N.C.) contact rated for 4A, 250 V ac.

These microswitches have a visual red flap or arm indicator that releases after fuse blown condition and can also be used for resetting the microswitch contacts.

Features/Benefits

- Available to fit PSX Series fuse case sizes 1XL–3XL
- Internal microswitch UL Listed
- Red flap visual indicator and contact reset mechanism
- Minimum positive operating voltage and current at 4V/1mA

Electrical Characteristics

| CATALOG NUMBER / ORDERING NUMBER | INDICATING STYLE | INSULATION VOLTAGE RATING (V AC) | FUSE CASE SIZE | POSITIVE OPERATING MIN VOLTAGE / MIN CURRENT | INTERRUPTING RATING | | | | | | OPERATING TEMP. | RELATIVE HUMIDITY | PACK QUANTITY | |
|----------------------------------|------------------|----------------------------------|----------------|--|---------------------|--------------------|------|------|------------------------------|------|-----------------|-------------------|---------------|-----------|
| | | | | | CURRENT | NON-INDUCTIVE LOAD | | | INDUCTIVE LOAD (DC L/R=25MS) | | | | | |
| | | | | | | 30V | 110V | 250V | 30V | 110V | | | | 250V |
| MSXL2000C* | Standard NO-NC | 2000 | 1XL–3XL | 4V / 1mA | AC (50/60 Hz) | 5A | 5A | 5A | 5A | 5A | 4A | -60 °C to +125 °C | 95% | 1 Pcs/Bag |
| | | | | | DC | 5A | 0.6A | 0.3A | 3A | 0.2A | 0.1A | | | |

* Contains internal microswitch (Part Number: U83161.8), listed under UL File: E42016.

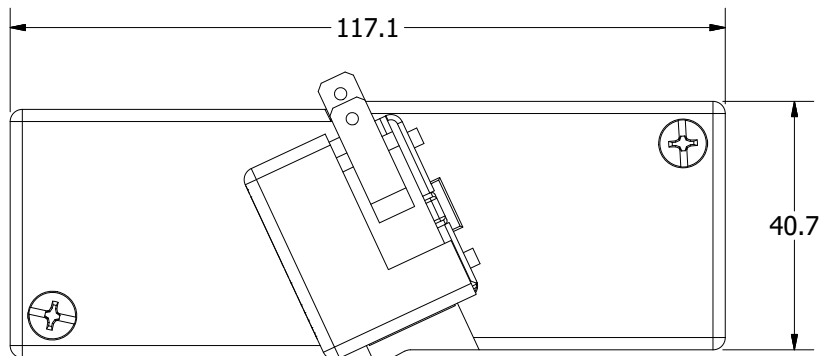
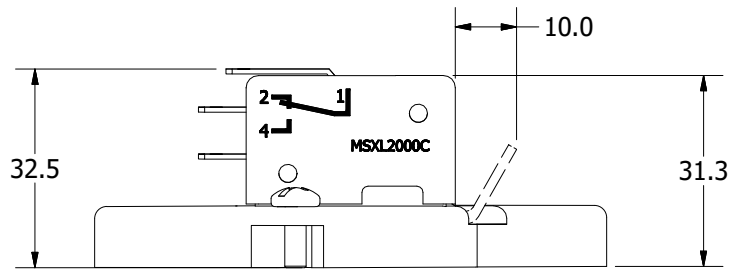
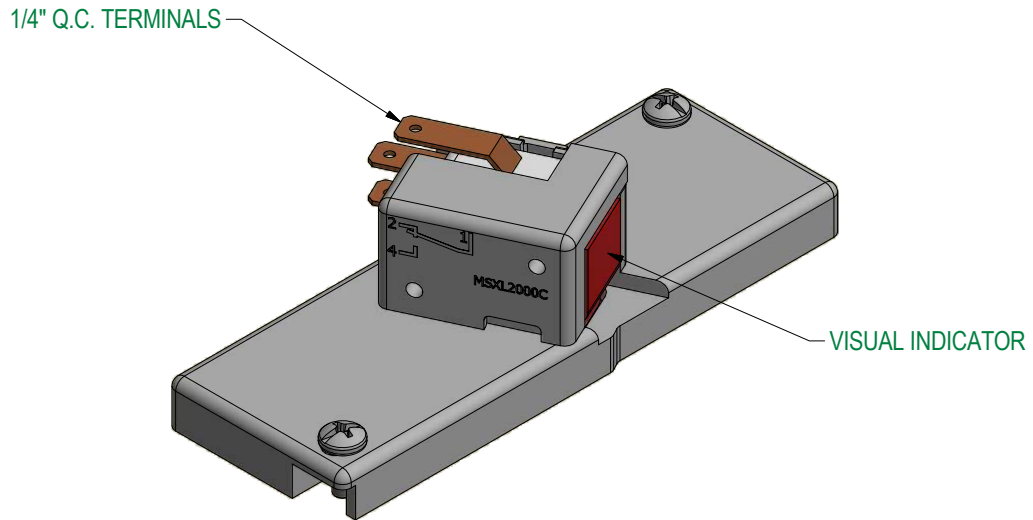
Specifications

| | |
|------------------------------|--|
| Voltage Rating | See Electrical Characteristics Table |
| Amperage Rating | See Electrical Characteristics Table |
| Interrupting Rating | See Electrical Characteristics Table |
| Operating Temperature | -60 °C to +125 °C |
| Relative Humidity | 95% |
| Contact | Silver-Nickel Plated Brass |
| Approvals | Internal Microswitch Part Number: U83161.8, Listed under UL File: E42016 |
| Flammability | UL 94 V2 |
| Environmental | RoHS Compliant |
| Country of Origin | China |

Ordering Information

| SERIES | FUSE CASE SIZE | CONTACT INSULATION VOLTAGE | CATALOG NUMBER | ORDERING NUMBER |
|--------|----------------|----------------------------|----------------|-----------------|
| MSXL | 1XL–3XL | 1000C | MSXL2000C | MSXL2000C |

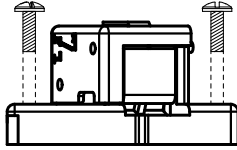
Dimensions





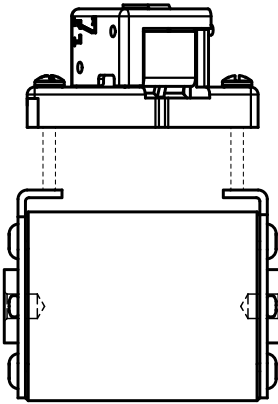
Mounting Method

Step 1



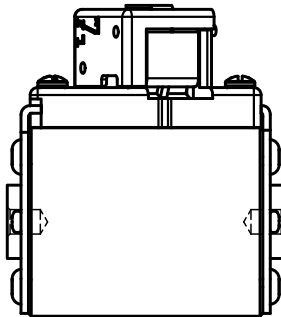
Fix the two M4 x 0.7 screws on the External Indicator Switch up to its screw heads.

Step 2



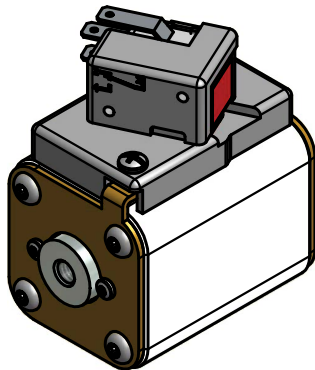
Align the two screws straight to the fuse indicator terminals.

Step 3



Tighten the screws to the fuse indicator terminals at its maximum recommended torque values.

Step 4



Recommended External Indicator Switch
Screws Tightening Torque:
0.6 to 0.8 Nm or
5.3 to 7 in-lbs

Disclaimer Notice – Information furnished is believed to be accurate and reliable. However, users should independently evaluate the suitability of and test each product selected for their own applications. Littelfuse products are not designed for, and may not be used in, all applications. Read complete Disclaimer Notice at www.littelfuse.com/product-disclaimer.