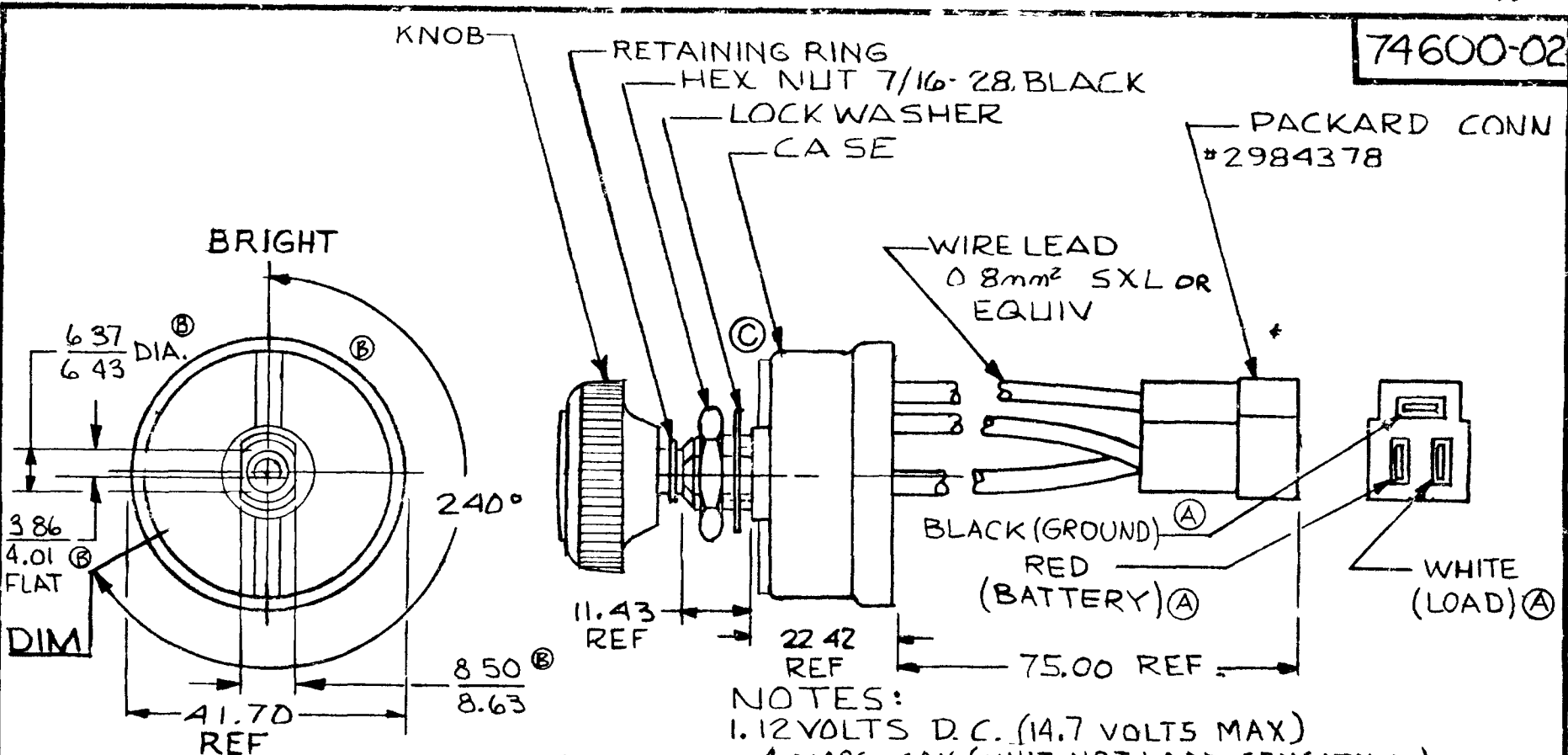


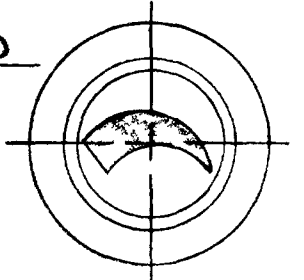
74600-02

MM	IN
11.43	.450
22.42	.883
41.70	1.641
75.00	2.950
0.8mm <sup>2</sup>	18GA
3.86	.152
4.01	.158
6.37	.251
6.43	.253
8.50	.335
8.63	.340



NEGATIVE GROUND ONLY

METRIC



FRONT VIEW OF KNOB

- NOTES:
1. 12 VOLTS D.C. (14.7 VOLTS MAX)  
4 AMPS MAX (UNIT NOT LOAD SENSITIVE)  
LAMP OR RESISTIVE LOAD NEGATIVE GROUND ONLY  
(GROUND WIRE (BLACK) MUST BE GROUNDED)
  2. PROTECTED FOR REVERSE POLARITY (30 V D.C.)
  3. WEATHERPROOF SEALED
  4. ALL STEEL PARTS PLATED

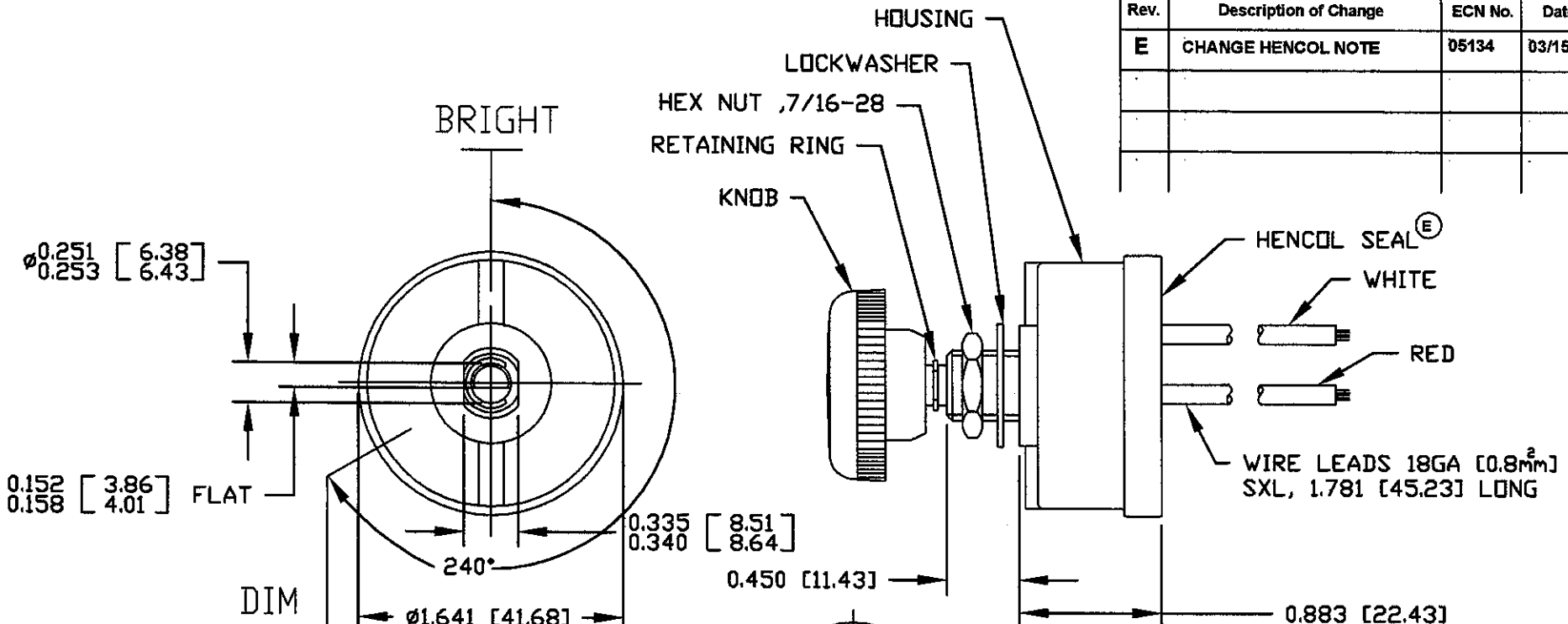
WIRE COLOR	CIRCUIT
BLACK	GROUND
WHITE	LOAD
RED	BATTERY

LET	WAS	DATE	BY	LET	WAS	DATE	BY	MATERIAL	DRAWN	CHECK'D	APPR'D	SCALE	DATE DRAWN
									VAK			1:1	10-3-84
				C	ECN 24372	6/11/86	BL	FINISH					DATE BLUEPRINT
				B	ECN 23482	4/8/87	LZ						
				A	23272	10-21-86	AF	TOLERANCES					
					ISSUED	1/31/88	CS	DECIMAL ±	SWITCH, DIMMER, 4 AMP				74600-02
								METRIC ±					

CH-18014-781

**Revision Control Record**

Rev.	Description of Change	ECN No.	Date
E	CHANGE HENCOL NOTE	05134	03/15/05

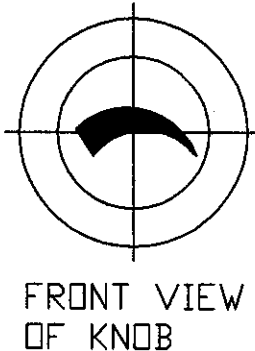


KNOB AND MOUNTING HARDWARE NOT SHOWN FOR CLARITY

**NOTES:**

- 12-14.7V DC. 7 AMPS MAX. (LAMPS OR RESISTIVE LOAD), UNIT NOT LOAD SENSITIVE, PROTECTED FOR REVERSE POLARITY.
- UNIT IS WEATHERPROOF SEALED.
- ALL STEEL PARTS PLATED.
- C-H PART NO. INK STAMPED AT RANDOM.
- ALL DIMENSIONS REFERENCE, UNLESS NOTED OTHERWISE.

WHITE	LOAD
RED	BATTERY
<b>WIRE COLOR</b>	<b>CIRCUIT</b>



**Tolerances.** Unless otherwise specifically noted, the following are default tolerances:  
 \* 2-place Decimal Dimensions  $\pm .02^{\circ}$   
 \* 3-place Decimal Dimensions  $\pm .005^{\circ}$   
 \* Angular Dimensions  $\pm 1.0$  Deg.  
 \* Metric: Refer to equivalent English Dimension Tolerance  
 >>> NOTE: All tolerances are Non-Cumulative. <<<

**Dimensional Units.** All dimensions are expressed in inches except those shown in brackets (xxx) are expressed in millimeters

**TRIPLE " or an Asterisk (\*)** = Non-Toleranced Reference Dimension, shown for clarification purposes only.

**PROPRIETARY INFORMATION.** This Engineering Drawing, and the information contained herein, is proprietary to Cole Hersee Company and may not be disclosed, re-produced, or in any other way transferred or communicated to any other party without the express written consent of an authorized representative of Cole Hersee Company.

**DESIGN CONTROL.** It is the responsibility of the individual using / referencing this drawing to assure that the noted design revision level agrees with the revision level of the Controlled Document (Master Drawing). This is a NON-CONTROLLED DOCUMENT unless otherwise specifically noted.

**DO NOT SCALE** - Dimensional variation may occur during printing / reproduction.

**Special Characteristics:**

- Critical Characteristic, relating to Safety and/or Regulatory Compliance
- Significant Characteristic relating to Process Control (SPC)
- Key Characteristic relating to Form - Fit - Function as defined by Cole Hersee Company and/or the Customer

(Note that the identification of any Characteristics as being "Special" does not alter the requirement that ALL specified dimensions & tolerances must be met.)

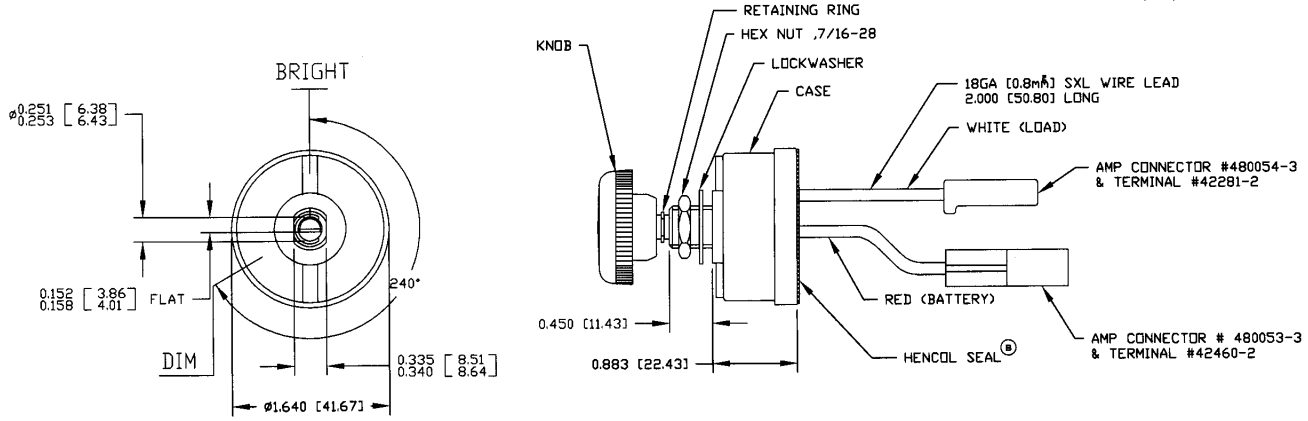
**Cole Hersee Co.**  
 20 Old Colony Ave., South Boston, MA, 02127  
 Phn 617-268-2100 Web: www.colehersee.com

**Description:**  
**DIMMER 7 AMP**

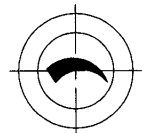
**Drawing / Part No.:** 74601-01

**Current Rev.:** E

Revision Control Record			
Rev.	Description of Change	ECN No.	Date
B	CHANGE HENCOL NOTE	05136	03/16/05



KNOB AND MOUNTING HARDWARE NOT SHOWN FOR CLARITY



FRONT VIEW ON KNOB

- NOTES:
- 12-14.7 V.D.C. 6 AMPS MAX. (CLAMPS OR RESISTIVE LOAD) UNIT NOT LOAD SENSITIVE PROTECTED FOR REVERSE POLARITY.
  - UNIT IS WEATHER PROOF SEALED
  - ALL STEEL PARTS PLATED
  - C-H PART NO. INK STAMPED AT RANDOM
  - SHORT CIRCUIT PROTECTED
  - ALL DIMENSION REFERENCE

**Tolerances:** Unless otherwise specifically noted, the following are default tolerances:  
 • Spline Distal Dimensions  $\pm .01$ "  
 • Spline Distal Dimensions  $\pm .004$ "  
 • Angular Dimensions  $\pm 0.3$  Deg.  
 • Holes: Refer to equivalent English Dimension Tolerance  
 • **NOTE:** All tolerances are Non-Cumulative, unless otherwise specified.

**Dimensional Limits:** All dimensions are expressed in inches except those shown in brackets (mm) are expressed in millimeters.

**\*REF. or as Dimensional:** = Non-Toleranced Reference Dimension, shown for identification purposes only.

Used On: **1**  
 as Ref: **1**

**PROPRIETARY INFORMATION:** This Engineering Drawing, and the information contained herein, is proprietary to Cole Hersee Company and may not be disclosed, reproduced, or in any way transmitted or communicated to any other party without the express written consent of an authorized representative of Cole Hersee Company.

**DESIGN CHANGES:** It is the responsibility of the individual using/retaining this drawing to ensure that the noted design revision level agrees with the revision level of the Controlled Document (Master Drawing). This is a NON-CONTROLLED DOCUMENT unless otherwise specifically noted.

DO NOT SCALE - Dimensional verification may occur during printing/reproduction.

Scale: **1:1**  
 Drawn By: **LIZ**  
 Date: **01/18/89**

**REGULATORY INFORMATION:**

- Critical Characteristics, relating to Safety and/or Regulatory Compliance
- Significant Characteristics relating to Process Control (PPC)
- Control Dimension relating to Form - Fit - Function as defined by Cole Hersee Company and/or the Customer

Note that the identification of any Characteristics as being "Significant" does not alter the requirement that ALL specified dimensions & tolerances must be met.

Responsible Engineer: **JC**  
 Pg. **1** of **1**

**Cole Hersee Co.**  
 20 Old Colony Ave., South Boston, MA, 02127  
 Phone 617-368-2100 Web: www.colehersee.com

Description: **DIMMER CONTROL 6AMP**

Drawing / Part No.: **74603**

**B**